

HEIGHT GAGES

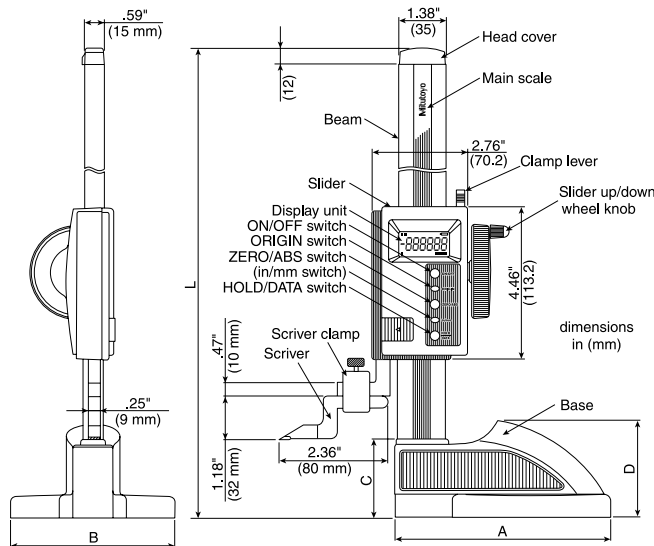
HDS Digimatic Height Gages with Absolute Encoder Series 570 – with output

Features

- Can easily measure the height of small parts.
- Feed Wheel.
- Display: Easy-to-read large LCD display, 6 digit and minus sign (-).
- Absolute encoder for direct measurement from power on.
- Economical energy-saving design.
- Unlimited response speed.
- Functions include: Zero-setting (ABS and INC modes), Presetting (ABS and INC modes), Hold/Data button, Inch/mm conversion, Data output, Error alarm, Low battery alarm, On/Off, Origin.
- Provided with a data output port for connection with the SPC system.*
- Battery Life: (Approx.) 20,000 hours of continual use.



570-312



Dimensions

Order No.	L	A	B	C	D
570-312	19.96"	6.30"	4.80"	2.32"	2.86"
570-313	26.06"	7.13"	5.59"	2.32"	2.92"
570-314	31.97"	7.13"	5.59"	2.32"	2.92"
570-302	19.96"	6.30"	4.80"	2.32"	2.86"
570-304	31.97"	7.13"	5.59"	2.32"	2.92"

Specifications

HDS Digimatic Height Gages

Inch/Metric

Order No.	570-312*1	570-313*1	570-314*1	570-302*2	570-304*2
Measuring Range	0–12"/300mm	0–18"/450mm	0–24"/600mm	0–300mm	0–600mm
Resolution	.0005"/ 0.01mm			0.01mm	
Accuracy	±.0015"	±.002"		±0.03mm	±0.05mm
Repeatability	.0005" (0.01mm)			0.01mm	
Power Supply	Silver oxide cell (SR-44) 1pc 541980				
Data Output	Digimatic code output (SPC output)*				
Mass	10.12 lbs	12.98 lbs	14.08 lbs	10.12 lbs	14.08 lbs
Standard Accessories	Scriber 900258 Scriber Clamp 901385 SR-44 battery 1pc.			Scriber 07GZA000 Scriber Clamp 05GZA033 SR-44 battery 1pc.	

*For SPC output order connecting cable **905338** (1m) Or **905409** (2m). Replacement Battery: **541980** (1 pc.), **541980-10** (10 pcs./SET)

*1 Dimensions for 570-312, 570-313 & 570-314

*2 Dimensions for 570-302 & 570-304