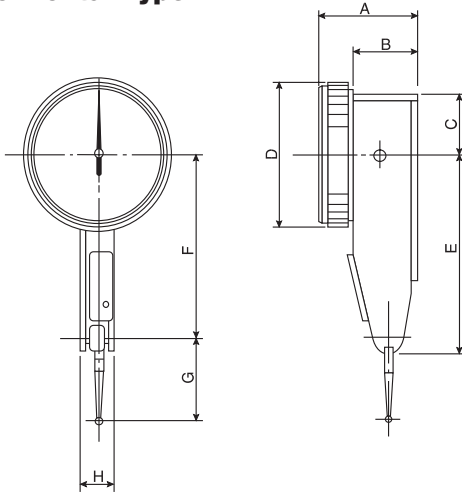
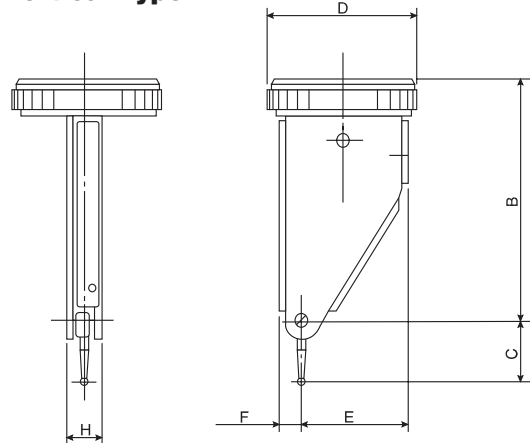


"Quick-Set" Indicator Dimensions

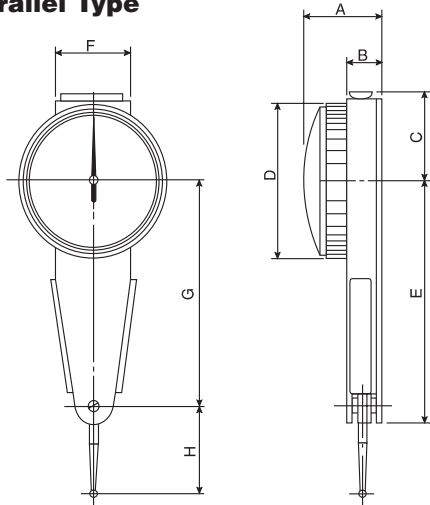
Horizontal Type



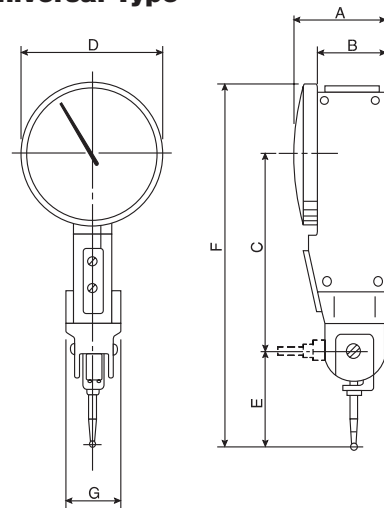
Vertical Type



Parallel Type



Universal Type



Horizontal Type

Dimensions								Unit: inch
Order Number	A	B	C	D	E	F	G	H
513-463	.98"	.67"	.61"	1.10"	1.61"	1.46"	.59"	.32"
513-462	1.00"	.65"	.61"	1.00"	1.96"	1.81"	.78"	.32"
513-403, 513-403T	.98"	.67"	.61"	1.54"	1.61"	1.46"	.59"	.32"
513-405E, 513-405T								
513-402, 513-402T	.98"	.67"	.61"	1.54"	1.61"	1.46"	.78"	.32"
513-404E, 513-404T								
513-406, 513-406T	.98"	.67"	.61"	1.54"	1.61"	1.46"	1.33"	.32"
513-412, 513-412T								
513-414E, 513-414T	.98"	.67"	.61"	1.54"	1.61"	1.46"	1.45"	.32"
513-415E, 513-415T								

Parallel Type

Dimensions								Unit: inch
Order Number	A	B	C	D	E	F	G	H
513-282, 513-982	.70"	.32"	1.45"	1.45"	2.26"	.70"	2.08"	.78"

Vertical Type

Dimensions							Unit: inch
Order Number	B	C	D	E	F	H	
513-453, 513-453T	2.01"	.59"	1.54"	.79"	.2"	.32"	
513-452, 513-452T	2.01"	.78"	1.54"	.79"	.2"	.32"	

Dimensions							Unit: inch
Order Number	B	C	D	E	F	H	
513-454T	2.01"	.82"	1.54"	.79"	.2"	.32"	
513-455T	2.01"	.58"	1.54"	.79"	.2"	.32"	

Universal Type

Dimensions							
Order Number	A	B	C	D	E	F	G
513-302, 513-942	1.05"	.66"	1.96"	1.41"	.90"	3.55"	.59"
513-304, 513-944	1.05"	.66"	1.96"	1.41"	.94"	3.59"	.59"